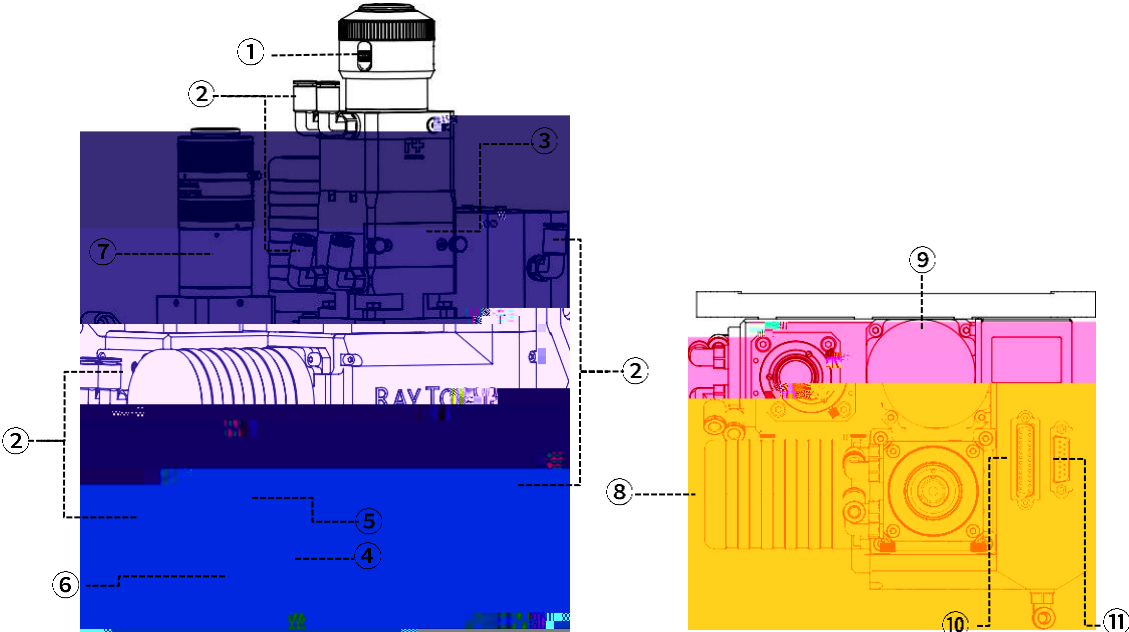
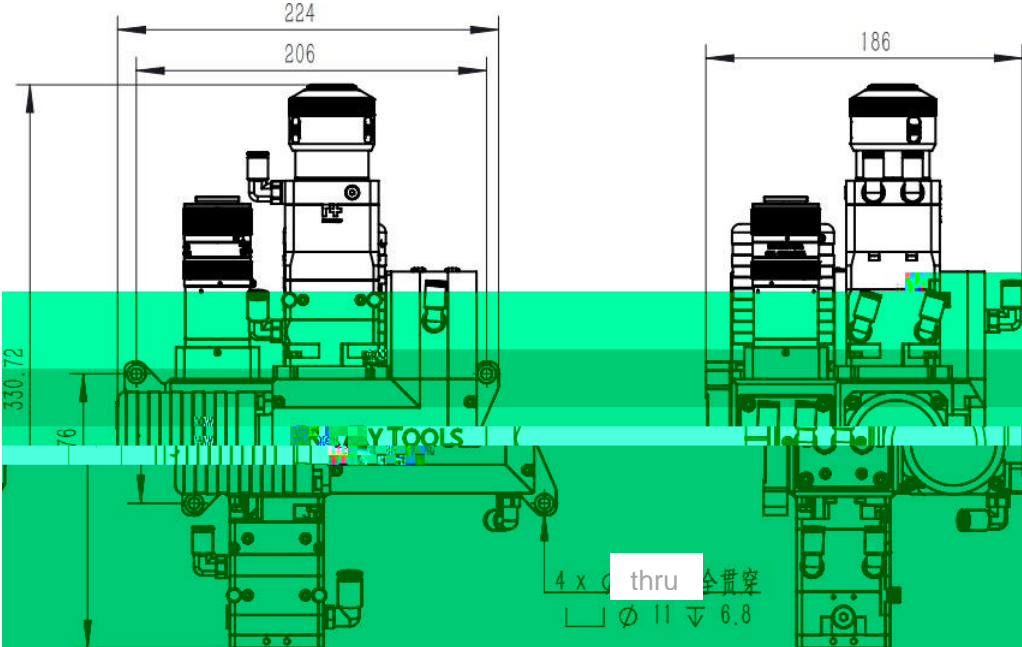
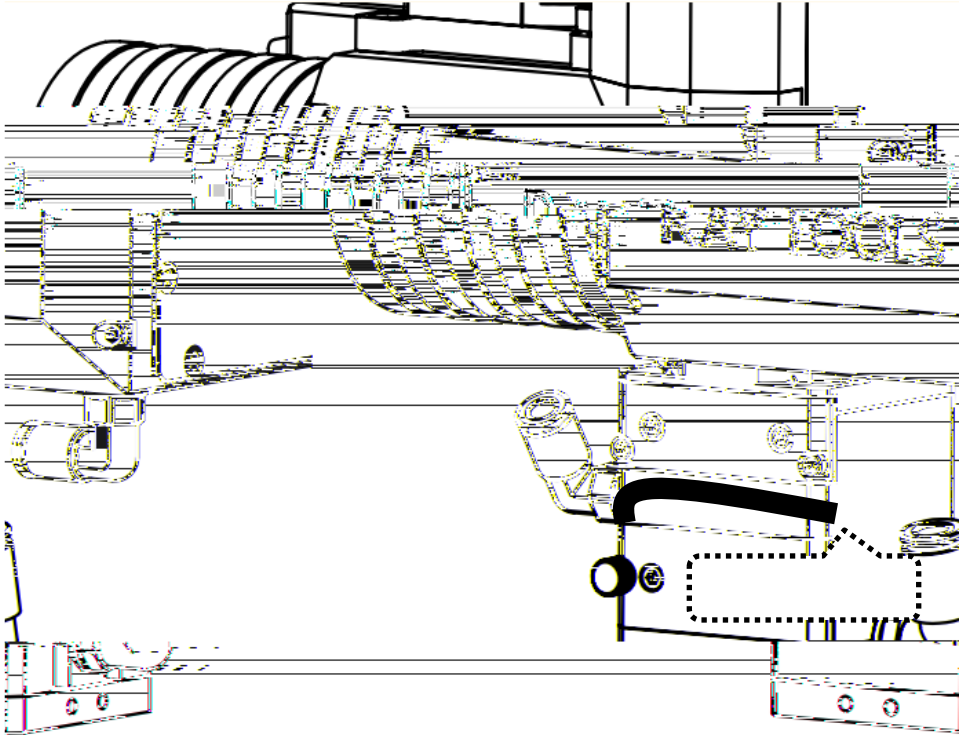


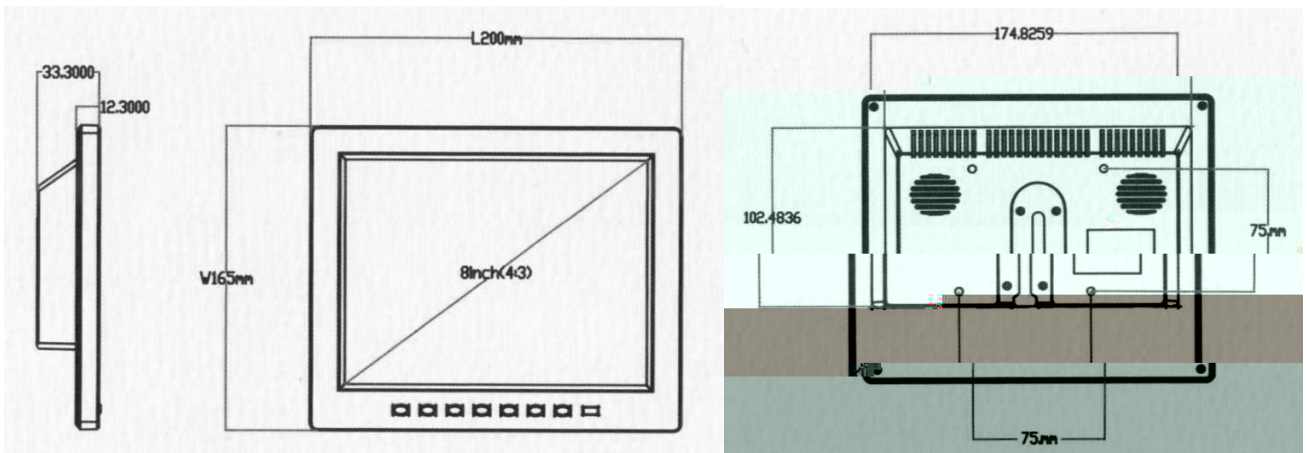
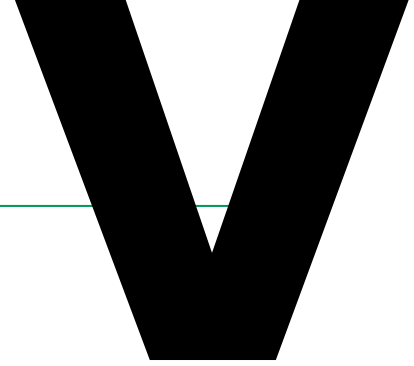
RAYTOOLS

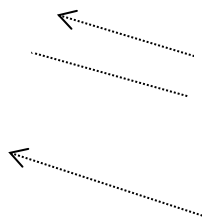
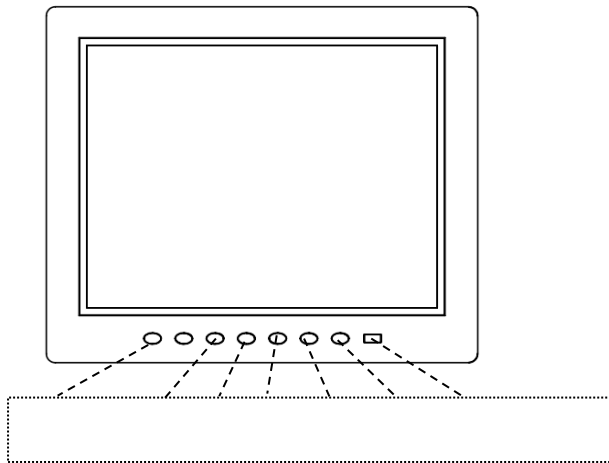
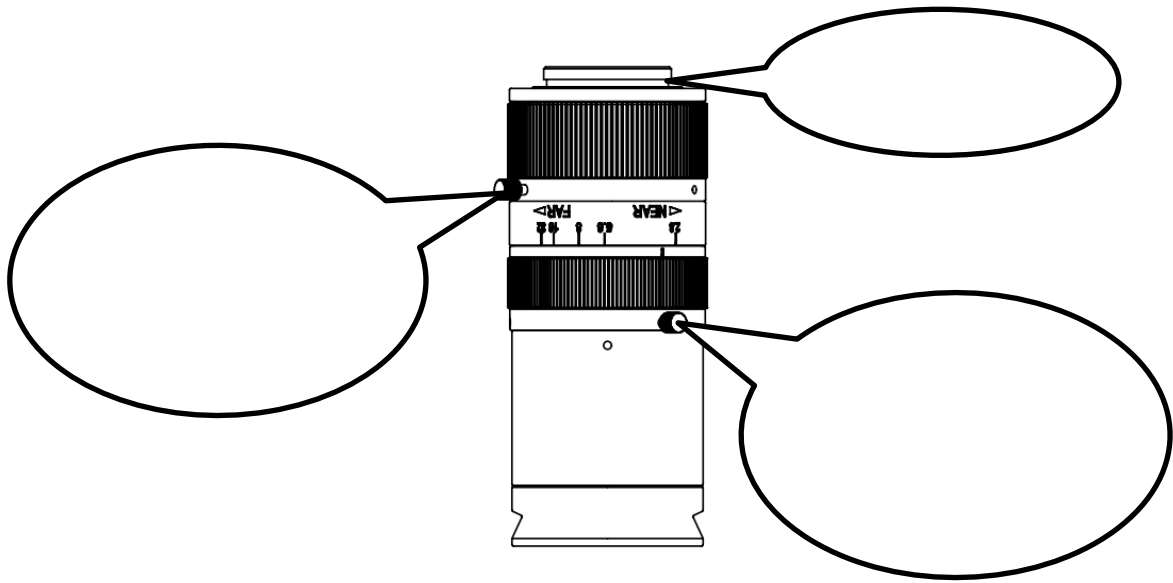




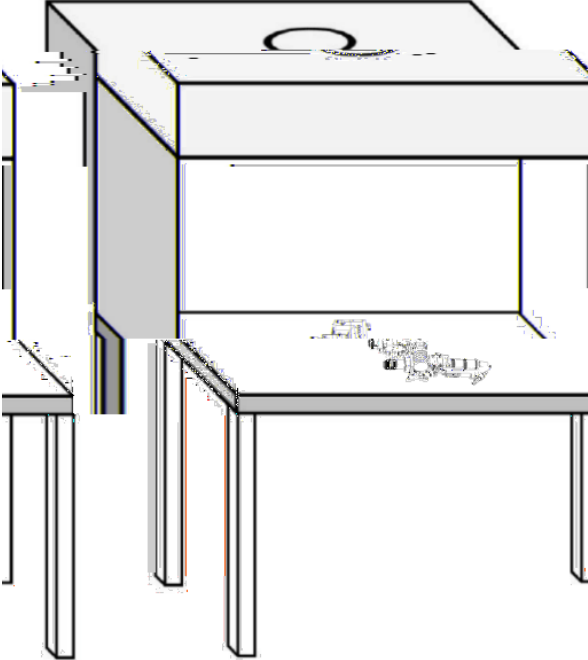




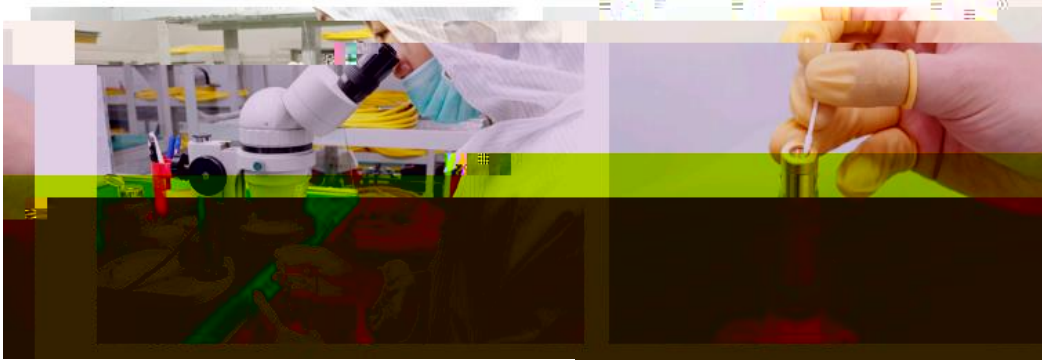
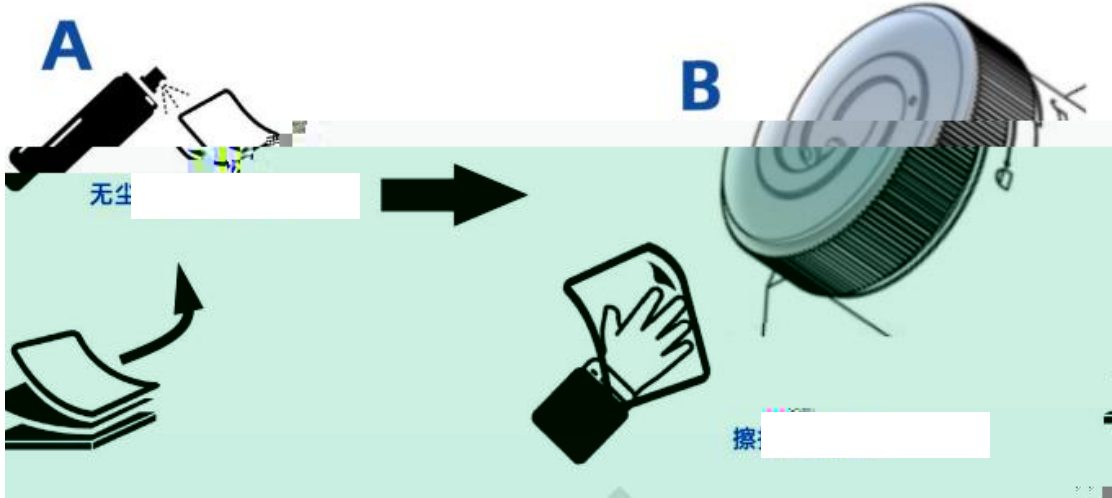


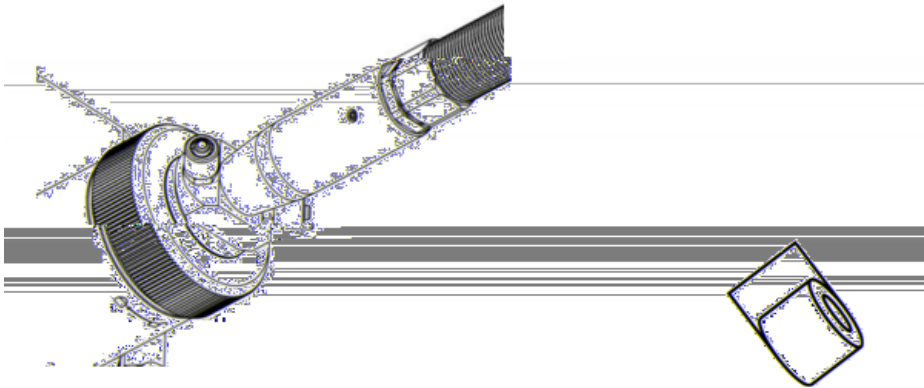
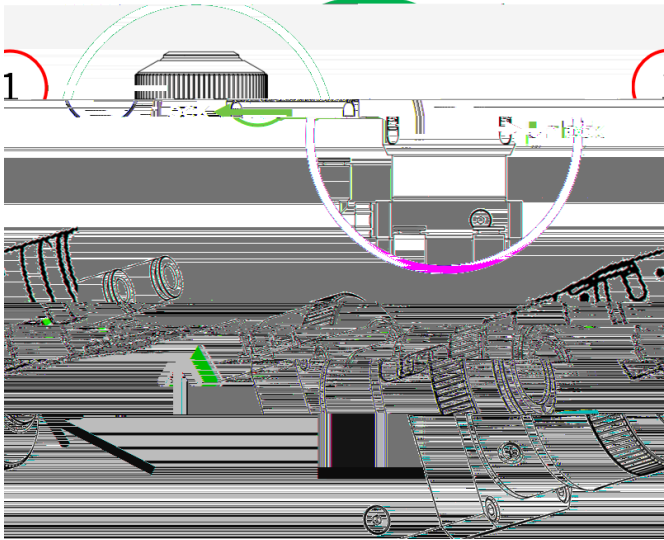


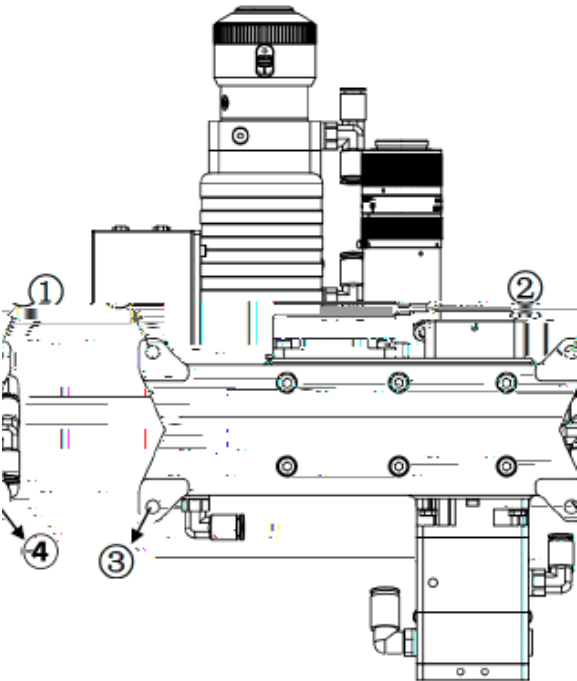
≡



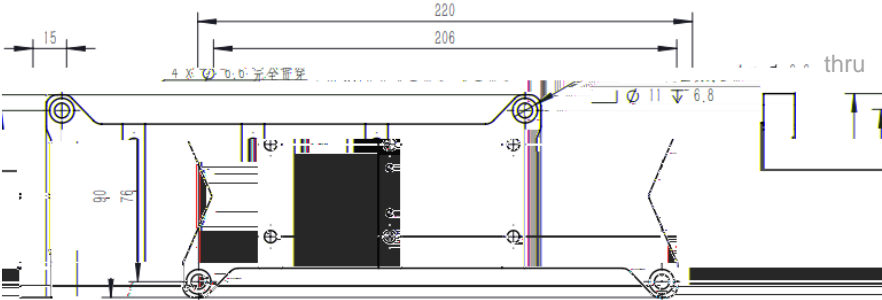
RAYTOOLS

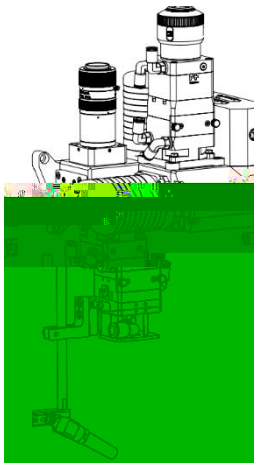
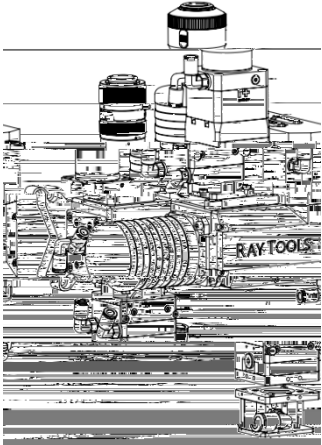
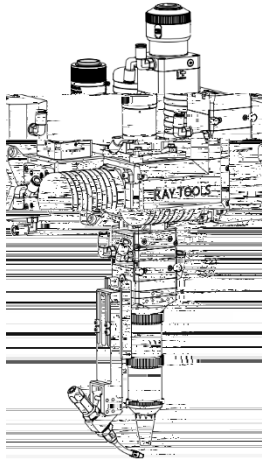
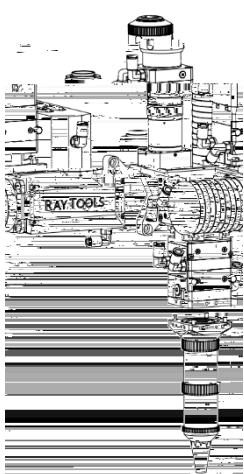
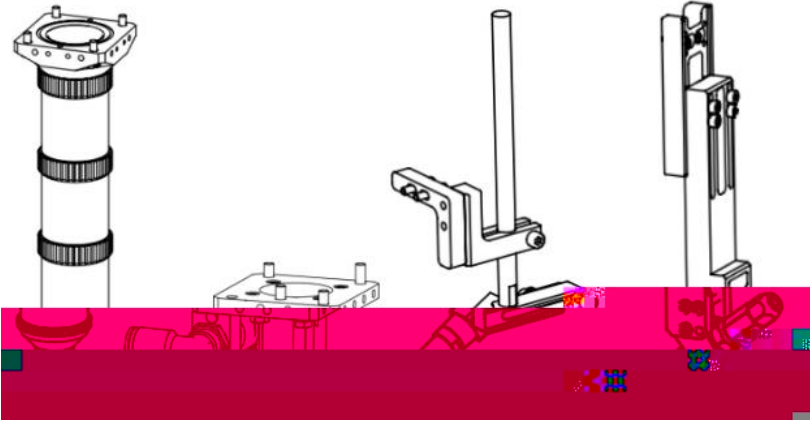


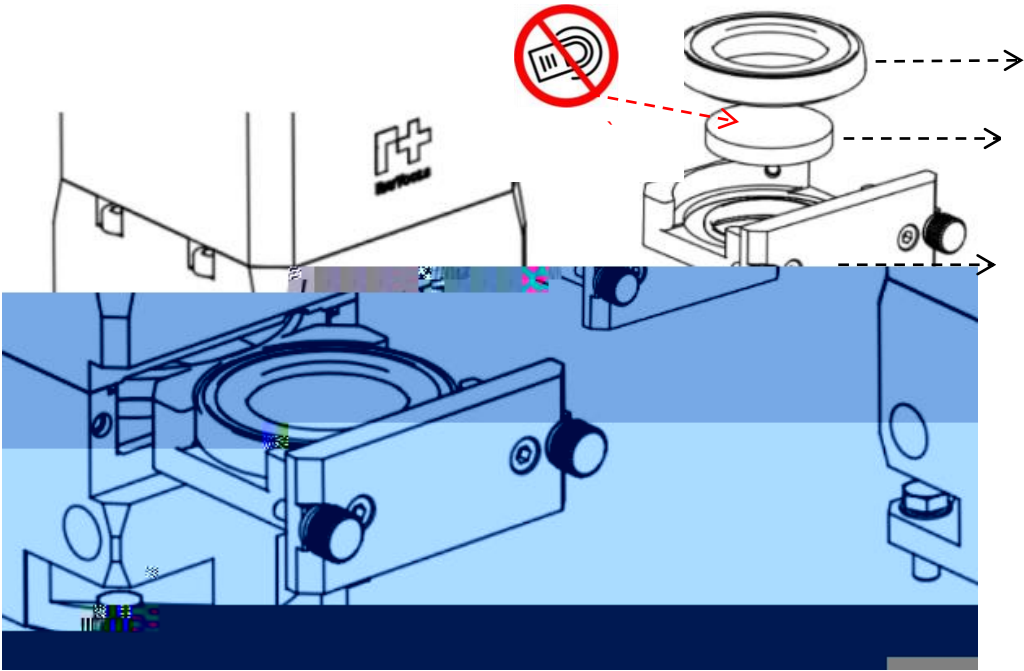


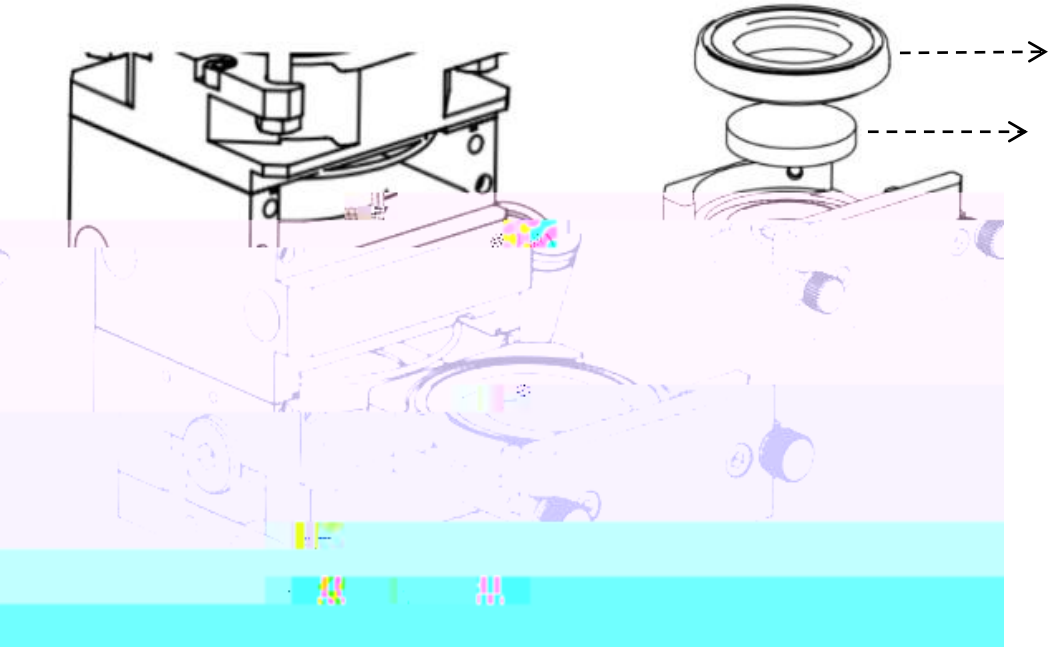


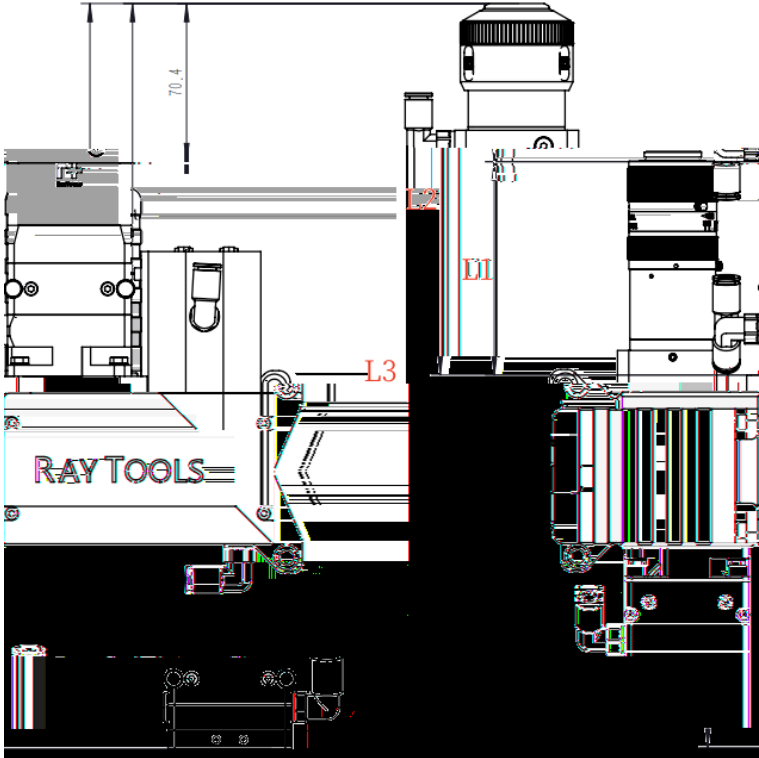
Rear View

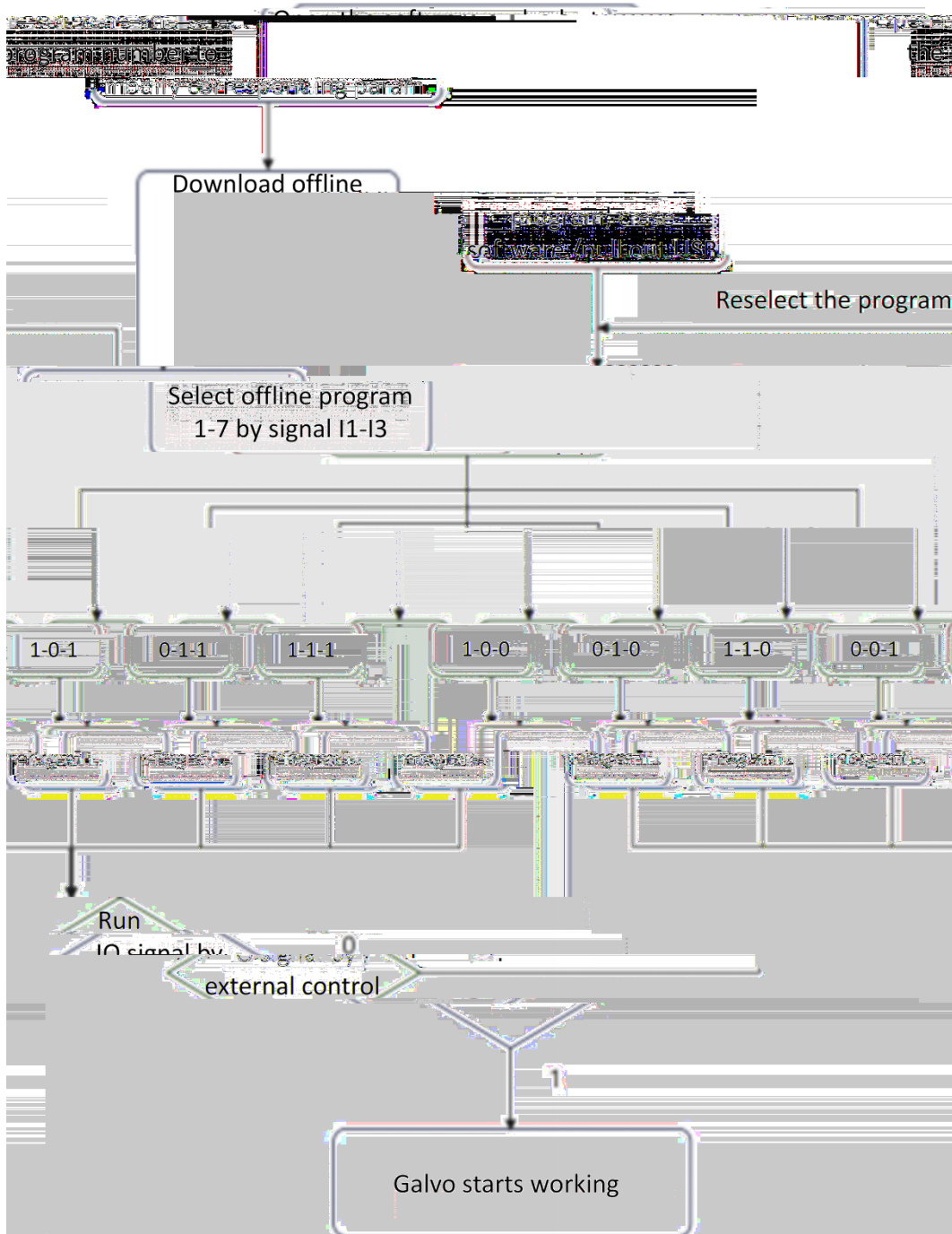


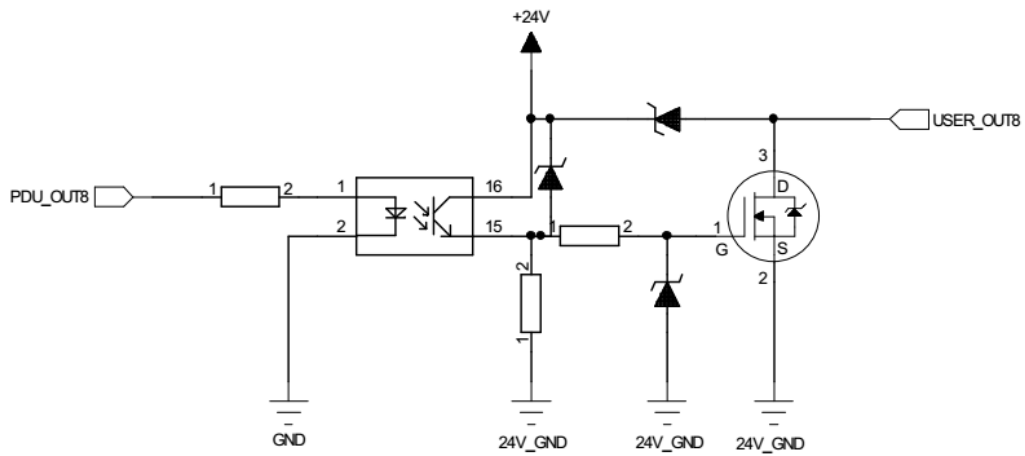
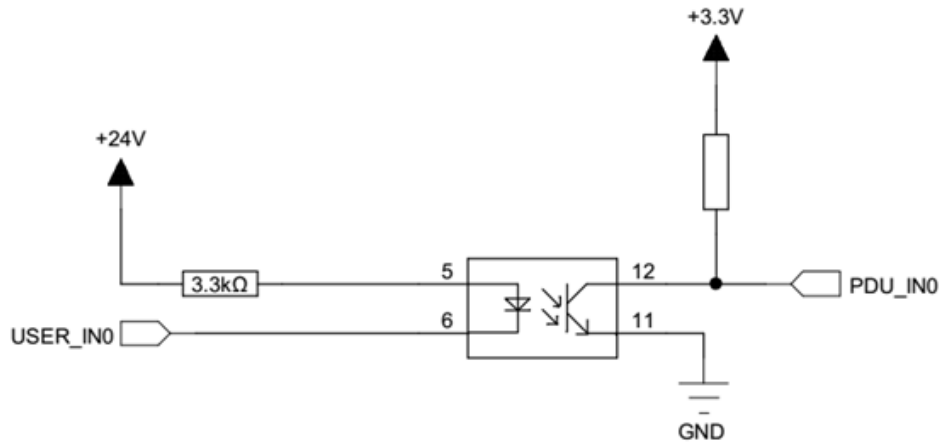






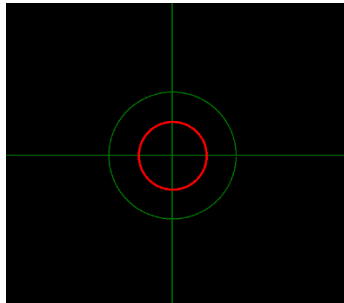








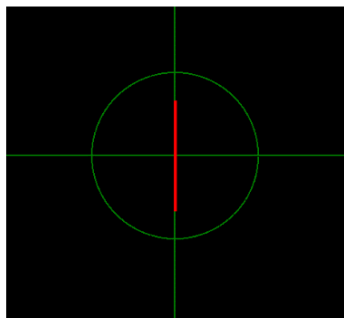
program6	2021/4/6 15:47	XM
...
Tao.Platform.Windows.dll	2021/3/23 14:31	
Tao.OpenGL.dll	2021/3/23 14:31	
Tao.Platform.Windows.dll	2021/3/23 14:31	
WeldAhead_wob	2021/4/6 16:50	
WeldAhead_wob.exe.config	2021/3/23 14:31	
WeldAhead_wob.pdb	2021/4/6 16:50	



Graphics Settings

ProgramID	Program2	▼
WeldType	Continuous Circle	▼
Line Length	0	mm
Radius	7.49	mm
StartAngle	0	°
Spin angle	0	°
Frequency	50	
X Offset	0	mm
Y Offset	0	mm

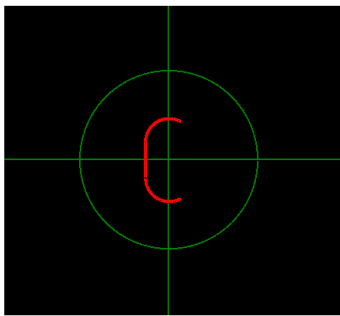
DownLoad



Graphics Settings

ProgramID	Program2	▼
WeldType	Continuous Line	▼
Line Length	2	mm
Radius	0	mm
StartAngle	0	°
Spin angle	0	°
Frequency	50	
X Offset	0	mm
Y Offset	0	mm

DownLoad



Graphics Settings

ProgramID

WeldType

Line Length mm

Radius mm

StartAngle °

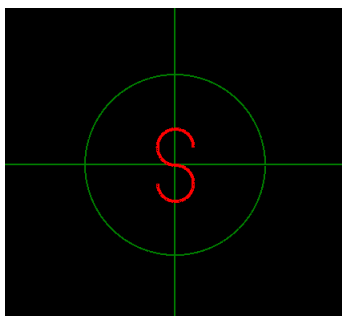
Spin angle °

Frequency

X Offset mm

Y Offset mm

[Download](#)



Graphics Settings

ProgramID

WeldType

Line Length mm

Radius mm

StartAngle °

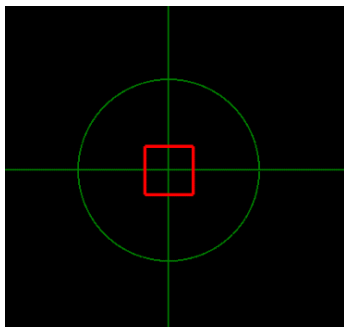
Spin angle °

Frequency

X Offset mm

Y Offset mm

[Download](#)



Graphics Settings

ProgramID

Continuous Square

Length mm

Radius mm

Start Angle °

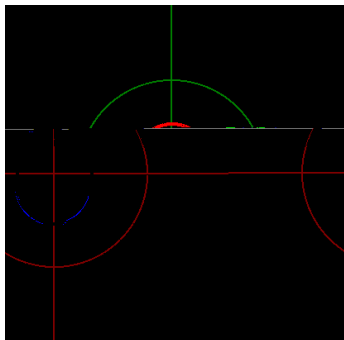
Spin Angle °

Frequency mm

X Offset mm

Y Offset mm

Download



Graphics Settings

ProgramID

Continuous Ellipse

Length mm

Radius mm

Start Angle °

Spin Angle °

Frequency mm

X Offset mm

Y Offset mm

Download

